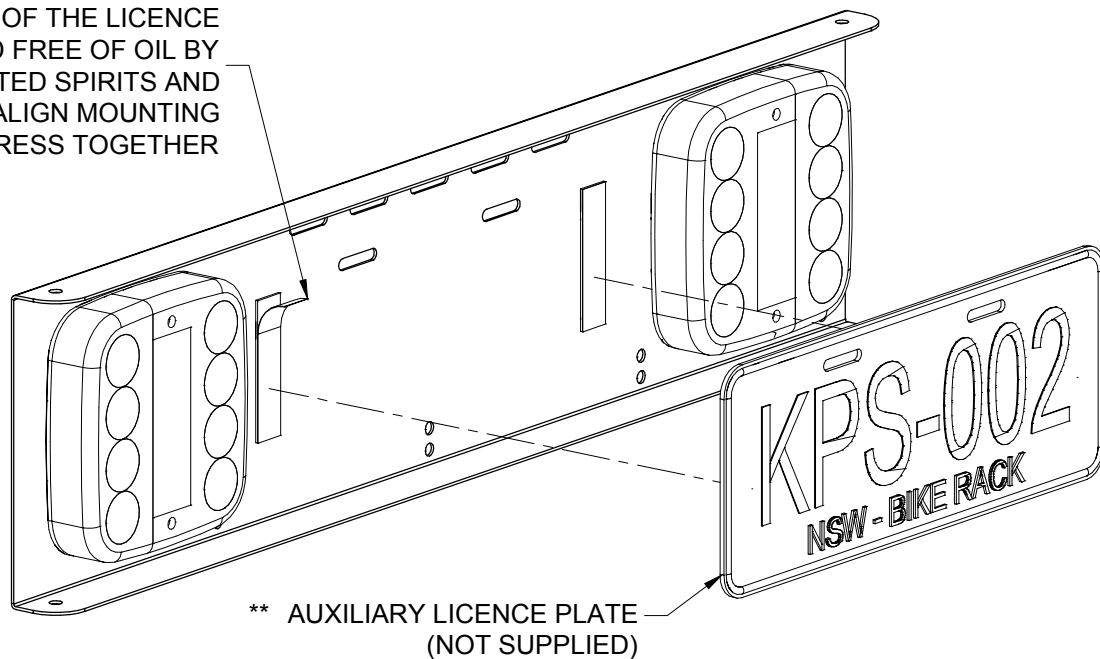
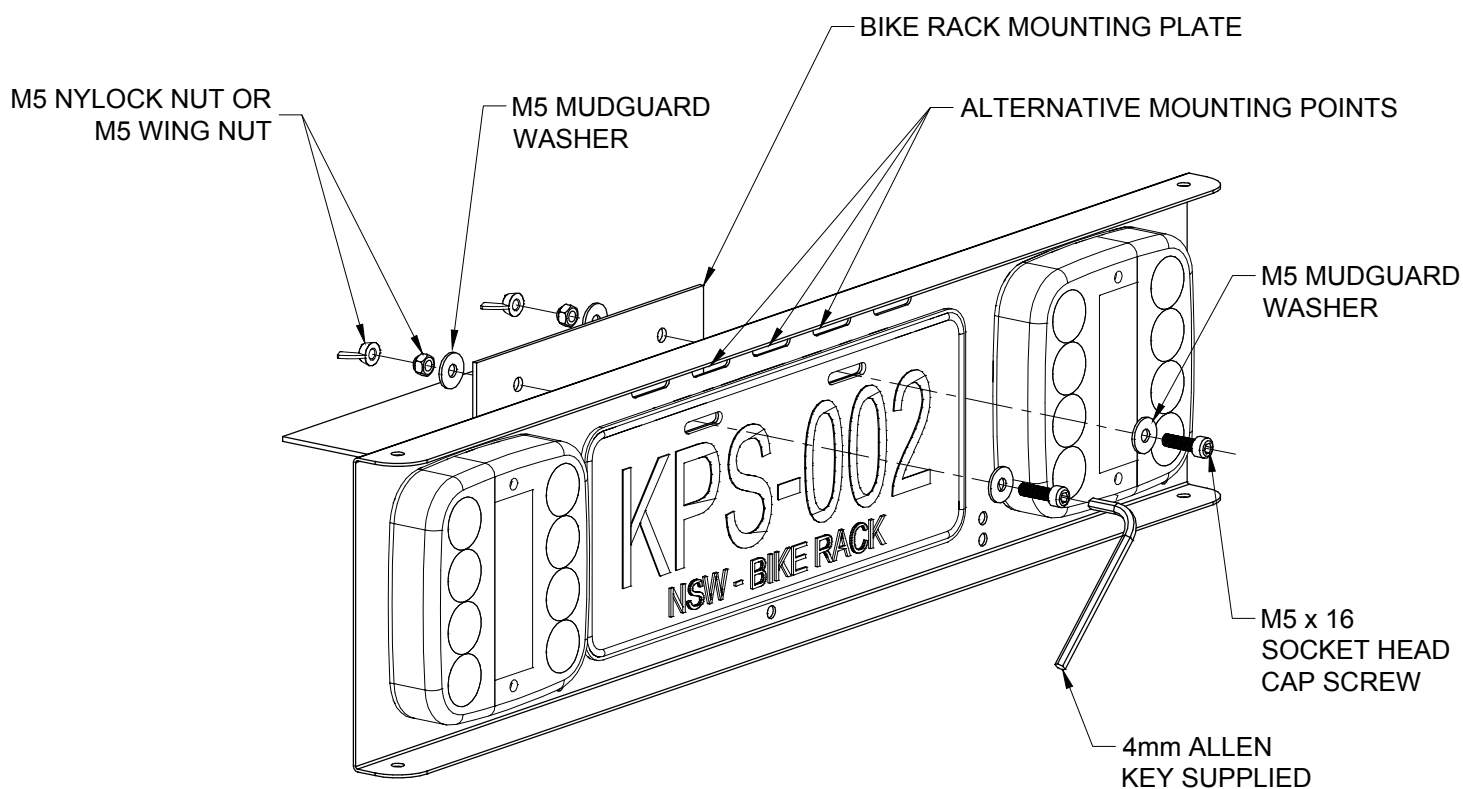


PEEL BACK FILM FROM DOUBLE SIDED TAPE. ENSURE THE REAR OF THE LICENCE PLATE IS CLEAN AND FREE OF OIL BY WIPING WITH METHYLATED SPIRITS AND ALLOWING TO DRY. ALIGN MOUNTING SLOTS AND PRESS TOGETHER



MOUNTING OF AUXILIARY LICENCE PLATE TO CARRIER



FOR SHORT TRAVEL DISTANCES THE M5 WING NUT CAN BE USED FOR QUICK AND EASY REMOVAL. FOR LONGER DISTANCES WE RECOMMEND USING THE NYLOCK NUTS TO PREVENT THE FASTENERS FROM BECOMING LOOSE DUE TO ROAD VIBRATIONS AND PREVENT LOSS AND / OR DAMAGE TO THE LIGHT BAR

A SMALL LANYARD IS SUPPLIED WITH THE LIGHT BAR. PASS THE LANYARD THROUGH ONE OF THE SPARE MOUNTING HOLES AFTER MOUNTING THE LIGHT BAR TO THE RACK. USE YOUR FAVOURITE PADLOCK OR SIMILAR TO FORM A CLOSED LOOP AROUND YOUR RACK OR BICYCLE. THIS WILL AID IN KEEPING IT BEING REMOVED BY THE DISHONEST AMONGST US AND TO HOLD THE LIGHT BAR SHOULD THE FIXINGS COME LOOSE FOR ANY REASON AND PREVENT THE UNIT FROM FALLING ON THE ROAD....

LIGHT BAR MOUNTING

** THE AUXILIARY NUMBER PLATE ID KPS-002, DOES NOT REPRESENT ANY PARTICULAR VEHICLE AND THE NUMBER SHOWN REPRESENTS THE PART NUMBER OF THE AUXILIARY NUMBER PLATE LIGHT BAR ASSEMBLY